

NITEVIZOR® X100-HUD



USER MANUAL

NITEVIZOR X100-HUD

Thank you for choosing the NiteVizor X100-HUD. Please read the user manual carefully before using the device.

Important Safety Information

1. Never look directly at the IR fill light when illuminated.
2. Do not leave the product un-supervised with persons under the age of 16.
3. Do not aim the IR fill light at combustible objects at close range.
4. Turn off the IR fill light or adjust it to sleep mode if it will not be used for a period of time.
5. Never leave on charge unattended.
6. This product is designed to be used with an optical scope which possesses a focusing function (AO or side focus).
7. Due to the design of its optical path, some optical telescopes may not be compatible.

Contents

- X100 main unit
- Scope Ring adaptor with 2 inserts
- 1x 18650 Lithium Battery
- USB Data & Charging Cable



Setup

Battery Installation

Unscrew and remove the battery cover and insert a flat-head 18650 3.7v lithium-ion rechargeable battery, with positive pole facing inward, and then replace the battery cover.

Micro SD Card Installation

To record video and take photos, install a Micro SD card in the slot on the unit. The X100 supports up to 64gb Micro SD cards.

Initial Adjustments

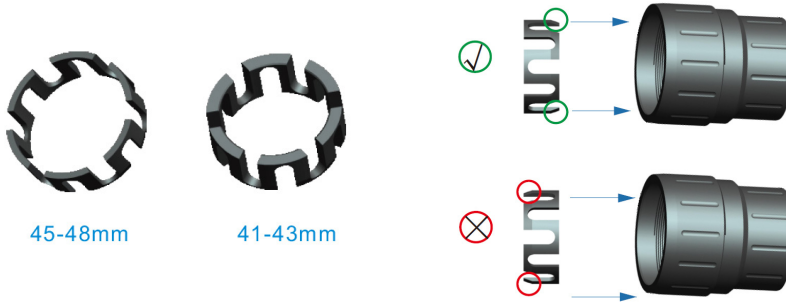
With the battery inserted and the X100 powered on, adjust the focusing wheel until the target image is clear. If mounted on an optical scope, install the scope adaptor ring behind the ocular of the scope (see below), then rotate the focusing wheel until the crosshairs of the telescope can be seen clearly.

Optical Telescope Installation

Install the scope adaptor ring on the rear of the X100 using the bayonet connection, then mount the unit to the ocular (rear) of the scope.

Two rubber ring adaptor inserts are delivered with the unit to enable mounting on scopes with an ocular diameter from 41 to 48mm.

Please pay attention to place the rubber insert in the correct direction.



We strongly advise to wrap the ocular in electrical tape to avoid damage to the telescope.

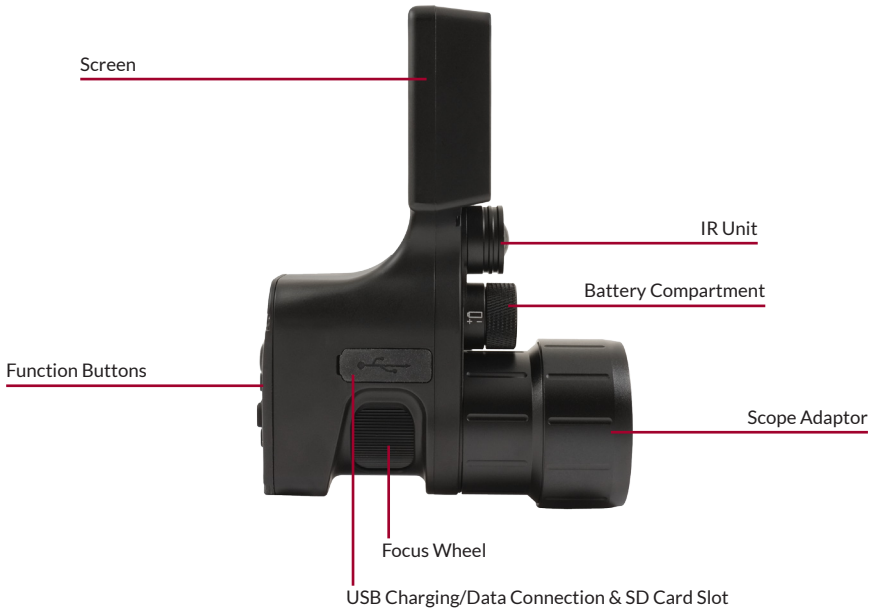
Turn the focusing wheel of the X100 until the image is clear.

The X100 can now be removed and installed using the scope adaptor ring bayonet fitting by holding down the release button and turning 30°.

Charging

The lithium battery can be charged via the USB interface. The Operation/Wi-Fi indicator will light Red when charging via USB.

For more efficient charging please use an external battery mains charger.



Operating the X100

Power

Press and hold the Power button for approximately 1 second to turn the unit on or off. The power indicator is Green when the power is on.

Sleep Mode

With the unit powered on, press the Power button briefly to switch between Sleep and Power modes. The power indicator is Green when the unit is in Sleep Mode.

Objective Lens Focusing

Aim the X100 at a target and adjust the Lens Focus wheel until the image is sharp.

IR Adjustment

Hold down the IR Adjustment for 1 second to switch between Color or IR (black and White) Mode.

In IR mode, press the IR Adjustment Button to adjust the level of IR fill light. The display will show IR 1-3 or OFF.

Video Recording

Press and hold the Video button for 1 second to start and stop Video Recording.

Photo Snapping

Press the Photo button to take a Photo.

Video & Photo Preview

Press and hold the Playback button for 1 second to playback Videos and Photos.

Brightness Adjustment

Press the Brightness button briefly to adjust the brightness of the screen.

Wi-Fi Mode

Press and hold the Wi-Fi Button for 1 second to switch the Wi-Fi mode On or Off.

Menu Operation

Press the Menu button to access the X100 menu system. Use the Up and Down buttons to select menu items and the OK button to select, enter or confirm.

Video & Recording File Splitting

Set the number of minutes for recording videos segments, between 3 and 15 minutes.

Audio Recording

Set Audio Recording to On or Off.

Exposure

Set the exposure compensation value between +3 and -3.

Date Display

Set the date and time stamp on Video and Photo recording to On or Off.

Language

Set the desired menu and display language setting.

Wi-Fi Switch

Set the default Wi-Fi setting on startup between On or Off. Setting the default to Off will save battery.

Date/Time

Set the Date and Time on the unit.

Format

Format the SD card. All Videos and Photos will be erased.

Default Setting

Select this option to return the unit to factory default settings.

Version

Displays the current Firmware version.

Technical Specification

- IR Wavelength: 850nm
- IR Power: 5w
- Lens Size: 16mm
- IR Fill Distance: 200m
- Photo Resolution: 2592x1936
- Sleeve Size: 41mm to 48mm
- Video Frame Rate: 30fps
- Video Format: MP4
- Dimensions: 115x96x58mm
- Weight : 250g
- Battery: 1x 18650
- Conformity: CE, FCC, RoHs

Battery Selection & Operation

The X100 uses 18650 3.7v batteries.

- Please completely charge all batteries before using for the first time.
- Insert the batteries into the battery compartment with the correct positive electrode and negative electrode (as indicated in the battery compartment).

Rifle Scopes and Lens Coatings

The X100 system functions, in night vision mode, with the use of infra-red light. The infra-red light is emitted from the front of the LCD screen & IR illuminator module.

In darkness the system relies on the camera module receiving as much infra-red light through the scope as possible.

Some scope manufacturers have a coating that reduces infra-red light passing through the scope optic. This coating improves the image visibility at low ambient light levels.

The X100 system is not as effective with scope lenses that have such coatings.

To get the best use of the X100 system, please use a scope that has a variable zoom feature with front or side parallax focus capability.

For further information please contact NiteVizor technical support.

Important Usage Information

- Please install batteries according to the advised polarity.
- Please use good quality batteries and remove the batteries when the device will not be used for longer than a few weeks.
- It is recommended to format the Micro SD-card which will be used for the device before using for the first time.
- Keep the device away from any heating and air conditioning vents or other heating devices, direct sunlight, and moisture.
- Always store the unit in its carrying case in a dry, well ventilated, space in temperature above +15°C (60°F). Do not store near heating devices. Do not store in direct sunlight or high humidity conditions (higher than 70%).

NOTE: The X100 is a precision electronic device. Do not attempt to service this camera, LCR or IR illuminator yourself, as opening or removing covers may expose you to dangerous voltage points or other risks.

FCC NOTE

This equipment has been tested and found to comply with the limits for a Class B digital device, pursuant to Part 15 of the FCC Rules. These limits are designed to provide reasonable protection against harmful interference in a residential installation. This equipment generates, uses and can radiate radio frequency energy and, if not installed and used in accordance with the instructions, may cause harmful interference to radio communications. However, there is no guarantee that interference will not occur in a particular installation. If this equipment does cause harmful interference to radio or television reception, which can be determined by turning the equipment off and on, the user is encouraged to try to correct the interference by one or more of the following measures:

- Reorient or relocate the receiving antenna.
- Increase the separation between the equipment and receiver.
- Connect the equipment into an outlet on a circuit different from that to which the receiver is connected.
- Consult the dealer or an experienced radio/TV technician for help.

Shielded interface cable must be used with the equipment in order to comply with the limits for a digital device pursuant to Subpart B of Part 15 of FCC Rules.

Specifications and designs are subject to change without any notice or obligation on the part of the manufacturer.



Disposal of Electric and Electronic Equipment

(Applicable in the EU and other European countries with separate collection systems)

This equipment contains electric and/or electronic parts and must therefore not be disposed of as normal household waste. Instead, it should be disposed at the respective collection points for recycling provided by the communities. For you, this is free of charge.

If the equipment contains exchangeable (rechargeable) batteries, these too must be removed before and, if necessary, in turn be disposed of according to the relevant regulations (see also the respective comments in this unit's instructions). Further information about the subject is available at your community administration, your local waste collection company, or in the store where you purchased this equipment.





email support@nitevizor.com